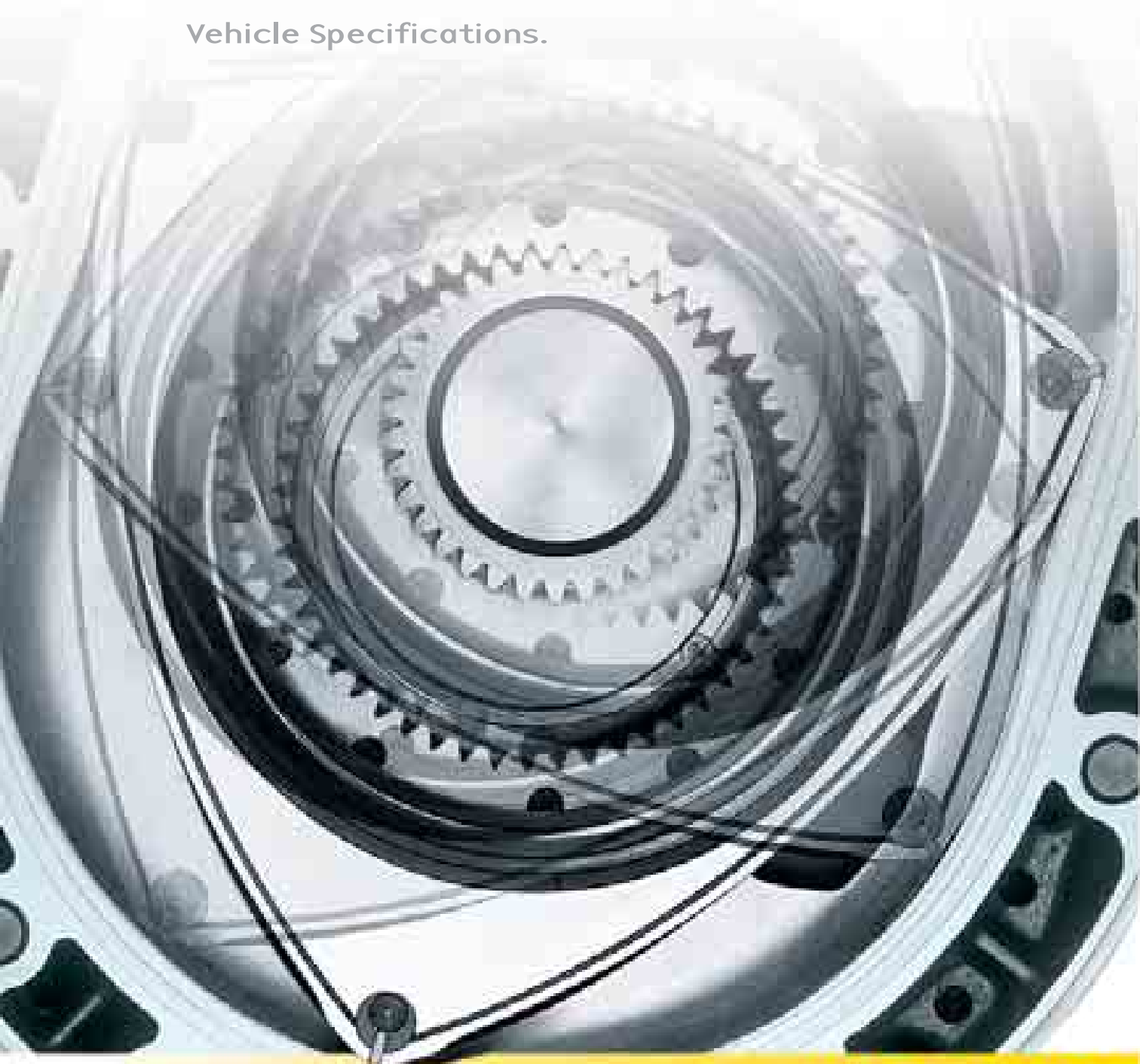




## Mazda RX-8

Vehicle Specifications.



*Zoom-Zoom*

## Mechanical Features.

### Engines:

- RENESIS rotary engine available with either 192ps or 231ps.
- Two 654cc rotor units.
- 3-way catalytic converter with feedback loop.
- Multi side port with side intake, side exhaust configuration.
- Ignition system: Distributor-less.
- Recommended fuel: Unleaded fuel (min 95 RON).
- Alternator: 12-100A.
- Starter: 12V, 1.4kW.
- Battery: 12V 70AH DIN 57029.
- Emissions Standard Euro IV.

### Transmissions:

- Clutch type: Single dry plate.
- 5-speed (192ps) or 6-speed manual (231ps).
- Super LSD limited-slip differential for maximum traction.
- Rear-wheel drive.

### Body:

- Light, highly rigid dedicated sports car platform for superior sports handling and driving dynamics.
- High-tensile steel reinforcing members in front and rear doors for side-impact protection.
- 4-door coupé 'Freestyle' door system for increased access to interior cabin.
- Use of aluminium construction for reduced bodyweight.

### Chassis and Suspension:

- Double-wishbone front suspension.
- Multi-link (five-link) rear suspension.
- Shock absorber type: Telescopic, oil and gas filled.
- Sports suspension.

### Brake System:

- Anti-lock Braking System (ABS) with Electronic Brake-force Distribution (EBD).
- Front and rear: Ventilated discs.
- Mechanical parking brake acting on rear wheels.



# Technical Data.

Engine	Mazda RX-8 (192ps)	Mazda RX-8 (231ps)
Displacement (cc)	2 x 654	2 x 654
Maximum output [ps (kW) / rpm]	192 (141) / 7000	231 (170) / 8200
Maximum torque (Nm / rpm)	220 / 5000	211 / 5500
Compression ratio	10:1	10:1
Redline (rpm)	7500	9000

Transmission		
Type	5-speed manual	6-speed manual
Gear ratios:		
1st	3.483	3.760
2nd	2.015	2.269
3rd	1.484	1.645
4th	1.000	1.187
5th	0.762	1.000
6th	–	0.843
Reverse	3.288	3.564
Final gear ratio	4.444	4.444

Steering		
Steering gear	Power-assisted rack and pinion	
Minimum turning circle (kerb-to-kerb) (m)	10.6	10.6

Performance and Economy		
Acceleration [0-62mph (0-100km/h) in sec]	7.2	6.4
Top speed [mph (km/h)]	139 (222)	146 (234)
Fuel consumption <sup>1)</sup> [mpg (l/100km)]		
Urban	19.0 (14.9)	18.1 (15.6)
Extra Urban	34.9 (8.1)	32.5 (8.7)
Combined	26.7 (10.6)	25.2 (11.2)
CO <sub>2</sub> emissions <sup>1)</sup> (g/km)	267	284
Stopping distance [(m) 62-0mph]	36	36
Fuel tank capacity (l)	61	61
Engine oil capacity (l)	6.1	6.9
Coolant capacity (l)	8.7	8.7

Dimensions and Weights		
Overall length with licence plate holder / width / height unladen (mm)	4430 / 1770 / 1340	4430 / 1770 / 1340
Unladen ground clearance (mm) between the axles	140	140
Front track / Rear track (mm)	1500 / 1505	1500 / 1505
Wheelbase (mm)	2700	2700
Front headroom / leg room / shoulder room (mm) (without sunroof)	970 / 1084 / 1393	970 / 1084 / 1393
Front headroom / leg room / shoulder room (mm) (with sunroof)	932 / 1084 / 1393	932 / 1084 / 1393
Rear headroom / leg room / shoulder room (mm) (without sunroof)	935 / 817 / 1395	935 / 817 / 1395
Rear headroom / leg room / shoulder room (mm) (with sunroof)	927 / 817 / 1395	927 / 817 / 1395
Cargo area volume, according to VDA (l) (accommodates full set of golf clubs)	290	290
Ventilated front disc diameter (mm)	323	323
Ventilated rear disc diameter (mm)	302	302
Kerb weight without driver (kg)	1373 (max)	1379 (max)
Permitted gross vehicle weight (kg)	1820	1815
Towing limit (kg)		
Unbraked	695	695
Braked (12% gradient)	1200	1200
Maximum roof load (kg)	75	75
Coefficient of drag (CD)	0.30	0.30

<sup>1)</sup> Fuel consumption and CO<sub>2</sub> emission values according to 80/1268 EWG (1999/100/EC).

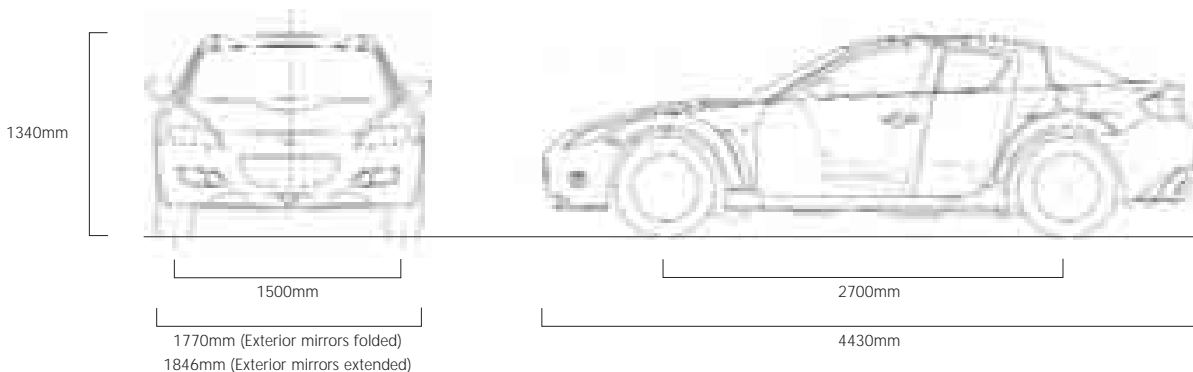
# Equipment.

## Safety and Security

Mazda RX-8 (192ps) Mazda RX-8 (231ps)

	Mazda RX-8 (192ps)	Mazda RX-8 (231ps)
Mazda Advanced Impact Distribution and Absorption System engineered 'triple H' body structure to help protect occupants from impact forces	●	●
Supplementary Restraint System (SRS) – Central control unit and crush sensors, front seatbelt pre-tensioners, load-limiters and airbag system	●	●
4-wheel disc brakes (front and rear ventilated)	●	●
Anti-lock Braking System (ABS) with Electronic Brake-force Distribution (EBD)	●	●
Dynamic Stability Control (DSC)	●	●
Traction Control System (TCS)	●	●
Super LSD (limited-slip differential)	●	●
Dual front airbags	●	●
Side airbags (front)	●	●
Curtain airbags (front and rear)	●	●
Passenger airbag deactivation system	●	●
Intrusion-minimising brake pedal	●	●
Front seatbelt pre-tensioners and load limiters	●	●
ISOFIX child seat anchorages on rear seats	●	●
Thatcham Category 1 alarm (with intruder sensor) and immobiliser	●	●

● = Standard



## Equipment.

Exterior		Mazda RX-8 (192ps)	Mazda RX-8 (231ps)
Tyres and wheels:	225/45 R18 with 18x8JJ aluminium wheels	●	●
	Emergency tyre repair kit (in lieu of spare wheel)	●	●
Bumper, front and rear: Body colour		●	●
Rear heated glass window		●	●
Wiper, 2-speed with intermittent wipe and wash		●	●
Headlights:	Halogen	●	–
	Xenon	–	●
Headlight levelling:	Manual	●	–
	Automatic	–	●
Headlight washer jets		–	●
Front fog lights		●	●
Rear brake light, high-mounted, rear fog light		●	●
Door mirrors:	Power-operated and heated, driver's wide angle with 'puddle' lights, body colour housings	●	●
'Freestyle' door system		●	●
Door outer handle:	Body colour	●	●
Rear lip spoiler		●	●
Sunroof, power tilt and slide		○	○
Body colour fuel filler cap		●	●
Metallic / Mica paint		○	○

- = Standard
- = Option, at extra cost
- = Not available



# Equipment.

## Comfort and Convenience

Mazda RX-8 (192ps) Mazda RX-8 (231ps)

Power steering (engine speed sensing)	●	●
Power windows: One-touch auto down on driver's side	●	●
Rear quarter windows: Flip open	●	●
Air conditioning: Climate control	●	●
Footrest (driver's side)	●	–
Footrest, aluminium (driver's side)	–	●
Aluminium pedal set	–	●
Scuff plates: Aluminium	●	●
Sunvisors, with illuminated vanity mirrors	●	●
Boot lid, remote opening (electric)	●	●
Fuel cap, remote opening (cable)	●	●
Remote central door locking with deadlocking	●	●

## Interior Features

Seats and integral head restraint:	Front, bucket seats with integral head restraints	●	●
	Drivers, dial reclining and height adjustment	●	●
	Cloth, black	●	●
	Leather <sup>1)</sup> trim includes driver's power seat and front heated seats	○	○
	Rear seats, 'boot through' box in centre	●	●
Steering wheel:	Leather-wrapped with tilt adjustment	●	●
Gearshift knob:	Leather-wrapped with aluminium insert	●	●
Door inner handles:	Front, chromed. Rear, black	●	●
Panel light control with dimmer		●	●
Headlight On reminder (sound warning)		●	●
Audio and Navigation System:	Premium BOSE® audio system with 6-CD autochanger, AM/FM radio and nine speakers	●	●
	DVD navigation system (available with leather option only)	○	○
Antenna:	Rear window	●	●
Meter set:	Tachometer, digital speedometer, fuel gauge, engine oil-pressure gauge, water temperature gauge, metallic meter rings, digital exterior temperature indicator	●	●
Warning lights:	Brake system, charging system, SRS, ABS, passenger airbag deactivation system, immobiliser, oil low, seatbelt reminder, fuel low	●	●
Digital clock		●	●
Centre console:	Front and rear (rear with lid)	●	●
Interior light, dome with integral spotlight		●	●
Courtesy lights, front doors		●	●
Luggage compartment light		●	●
Inner mirror (day / night)		●	●
Storage space:	Glovebox, lockable with illumination	●	●
	Seat-back pocket (passenger's side)	●	●
	Rear console box with lid	●	●
	Door pockets (front)	●	●
Cigar lighter and illuminated front ashtray		●	●
Grab handle, front passenger's		●	●
Cup holders, two front and two rear		●	●
Heater controls, power-operated		●	●
Heater ducts, rear		●	●
Pollen filter		●	●

● = Standard

○ = Option, at extra cost

– = Not available

<sup>1)</sup>Leather refers to centre seat facing and side supports.

# Colours and Seat Trims.

Trim	Black cloth	Black leather*	Red / Black leather*
Environment Colour	Black	Black	Black
<b>Solid Body Colours</b>			
Brilliant Black	●	●	●
<b>Metallic / Mica Body Colours*</b>			
Velocity Red Mica	●	●	●
Winning Blue Metallic	●	●	-
Sunlight Silver Metallic	●	●	-
Galaxy Grey Mica	●	●	-

\*Option, at extra cost.  
 ● = Available  
 - = Not available



Brilliant Black



Velocity Red Mica



Winning Blue Metallic



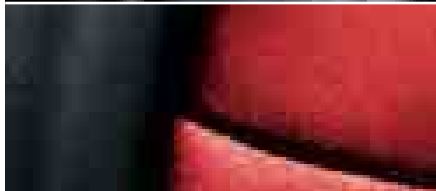
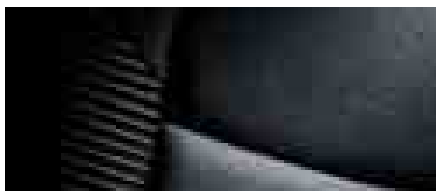
Sunlight Silver Metallic



Galaxy Grey Mica

Black cloth

Black leather\*



Red / Black leather\*





## Mazda Products and Services.

### **Warranty Plus – 3-Year Cover**

Every Mazda is designed and built to the highest standards of performance, comfort and reliability. For your further reassurance, Mazda also provides a full 3-year / 60,000 mile<sup>1</sup> warranty cover, including Mazda European Assistance, 3-year paintwork warranty and a 12-year anti-perforation warranty.

<sup>1</sup>There is no mileage limit during the first year of the warranty.

### **Mazda Momentum – New Vehicle Extended Warranty**

At any time during the manufacturer's warranty period, you may purchase a Mazda Momentum extended warranty package. Three options are available. Your Mazda dealer will be pleased to provide you with details.

### **Mazda Credit\***

Mazda offers a variety of finance, leasing and payment protection schemes to suit the needs of both private and business customers. With our wide choice of plans and services, no-one is more committed to delivering complete motoring confidence and total peace of mind than Mazda and Mazda Credit.

Mazda MultiOption – Economical payments protected by any fall in car values, with three options to choose from at the end of the agreement.

Mazda MultiOption Cashplan – All the benefits of MultiOption but with no regular payments.

Mazda Hire Purchase – A simple, straightforward and traditional funding plan.

### **Mazda Business Partner**

As a Mazda corporate customer, you'll find that Mazda vehicles are designed to fulfil the diverse needs of a modern company. Our corporate service offers attractive purchase prices, low running costs and market-driven residual values, resulting in extremely competitive ownership costs.

### **Mazda Digital Service Record**

The Mazda Digital Service Record (DSR) system provides increased security against counterfeit service documents and odometer tampering, and makes it easy to keep the service history up to date. Stored on a central database, the DSR replaces the traditional paper service book and ensures a secure, accurate and permanent service history for the life of the vehicle.

### **Your Mazda dealer:**

Mazda Motors UK Limited reserves the right to introduce changes in specification and equipment due to its ongoing product development. Colour and trim samples shown in this brochure may vary from the actual colours because of the limitations of the printing process. It is recommended that you consult your Mazda dealer when referring to these.

\*Finance subject to status. Guarantees / Indemnities may be required.

Written quotations: Mazda Credit UK, Central Office, Eagle Way, Brentwood, Essex CM13 3AR

Authorised and regulated by the Financial Services Authority.

September 2006.

**Internet: [www.mazda.co.uk](http://www.mazda.co.uk)**

**Mazda Helpline: 08457 48 48 48**