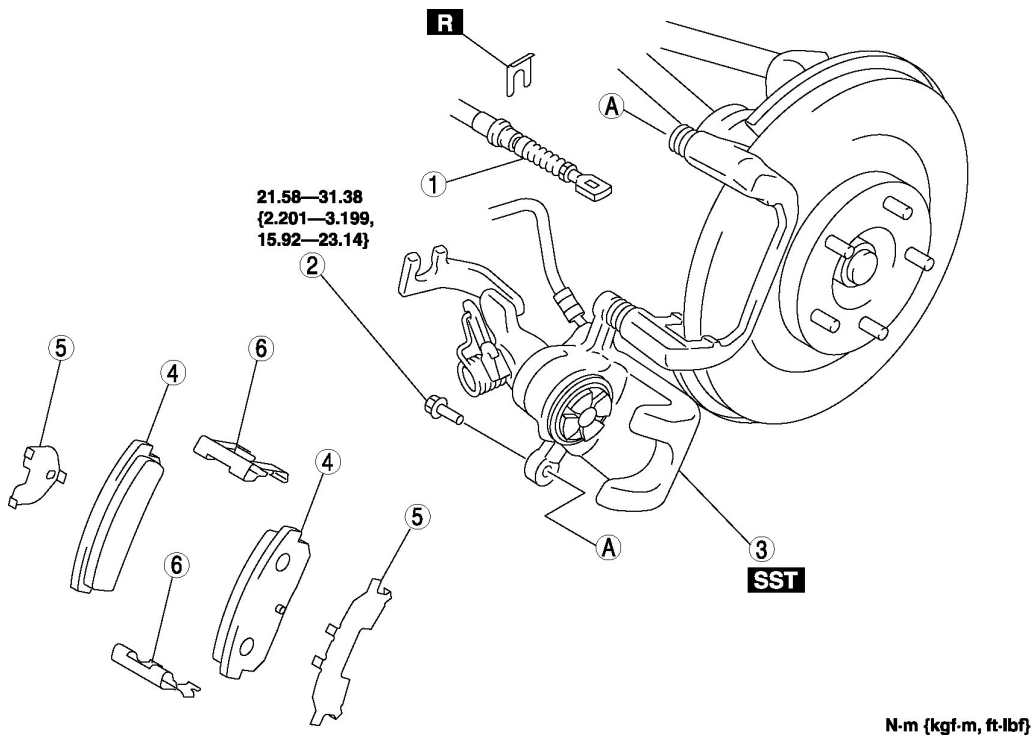


# DISC PAD (REAR)

## DISC PAD (REAR) REPLACEMENT

1. Remove in the order indicated in the table.
2. Install in the reverse order of removal.
3. After installation, depress the brake pedal a few times, and inspect the following.
  - The disc pad projection is securely installed to the piston groove
  - Parking brake lever stroke
  - Brake drag



N-m {kgf-m, ft-lbf}

1	Parking brake cable
2	Bolt
3	Caliper
4	Disc pad
5	Shim
6	Guide plate

### Caliper Installation Note

1. Clean the exposed area of the piston.
2. Rotate the piston clockwise slowly using the **SST** and push in the piston completely until the piston grooves are in the position shown in the figure.